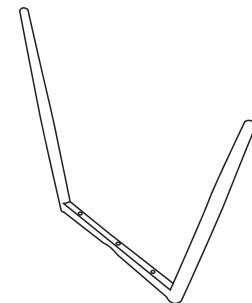
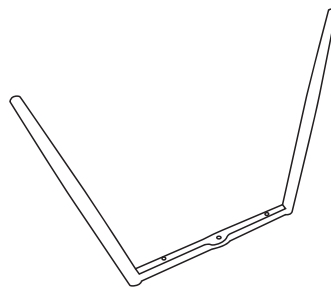
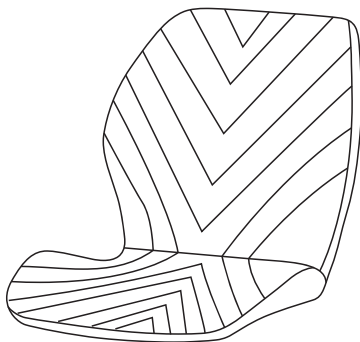


1

2

3



1	1x
2	1x
3	1x

A



M6x20mm

1x

B



M6x35mm

4x

C



Ø6xØ16x1.5

4x

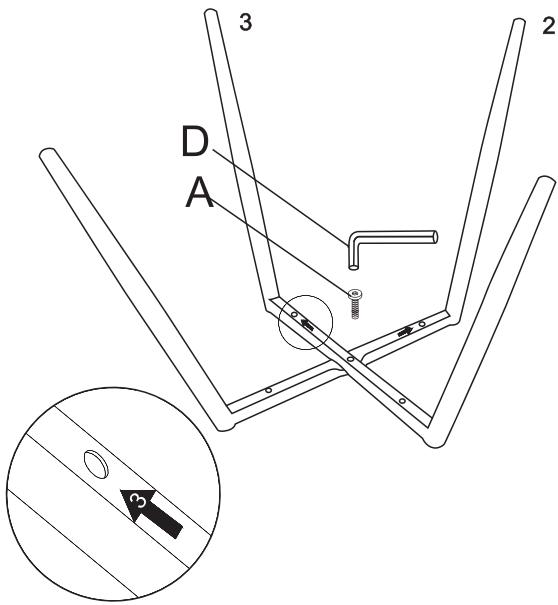
D



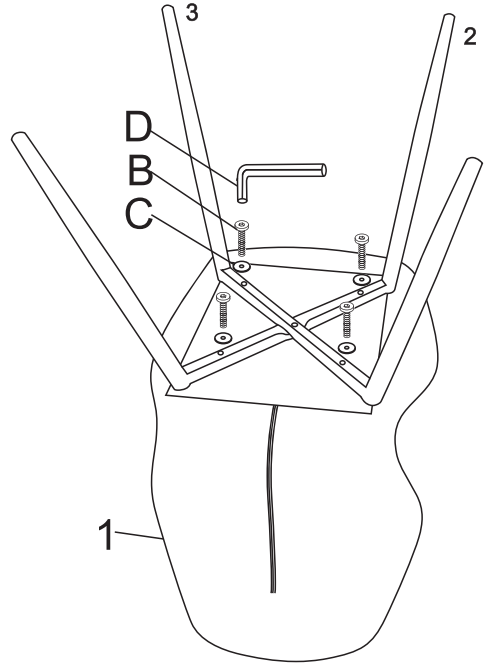
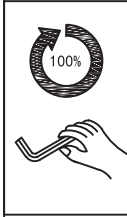
5MM

1x

1



2



3

