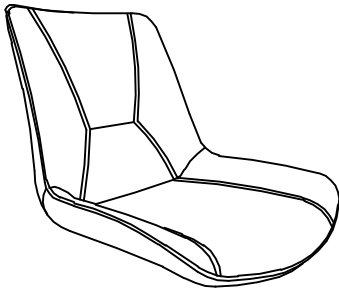
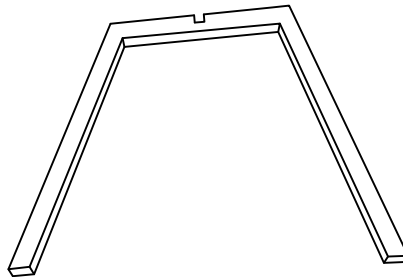


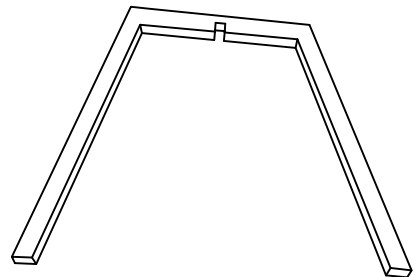
1



2



3



1	1x
2	1x
3	1x

A



M6x16mm

4x

B



M6x45mm

4x

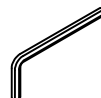
C



Ø16xØ6x1.5mm

4x

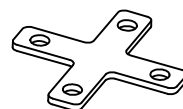
D



5MM

1x

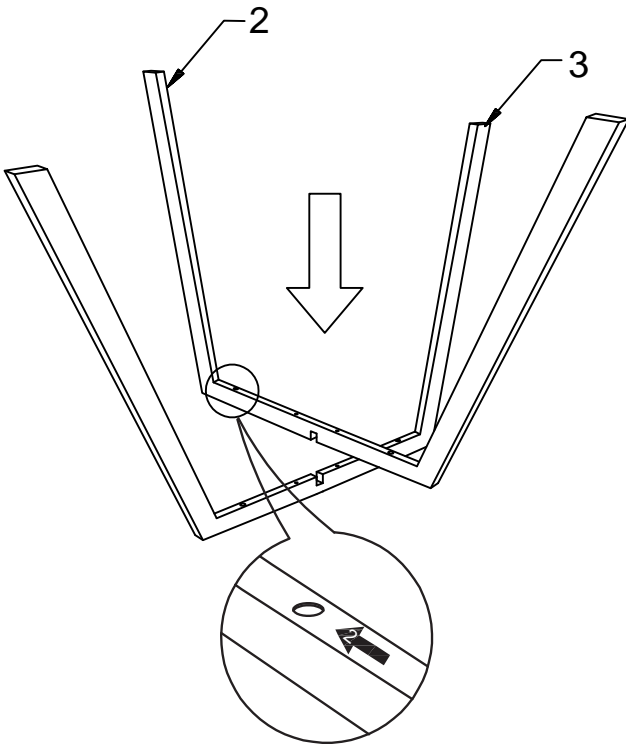
E



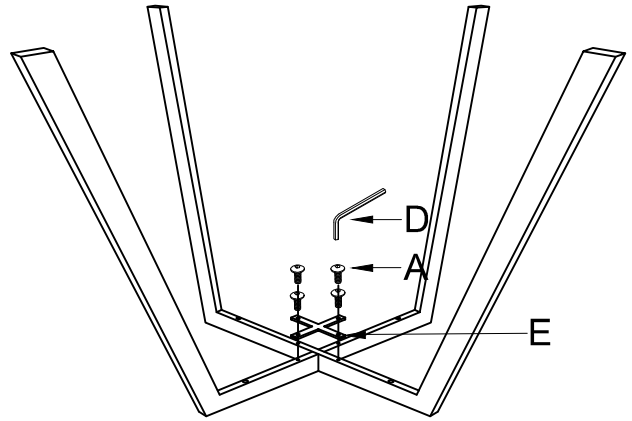
15x85x85

1x

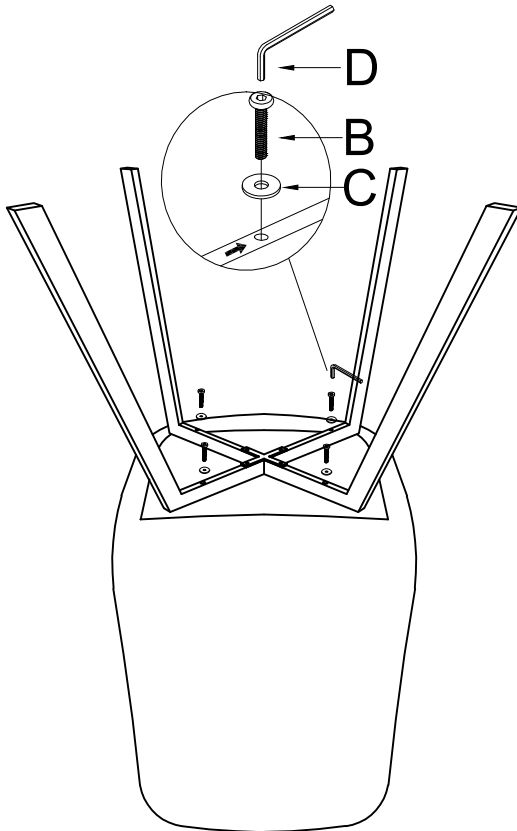
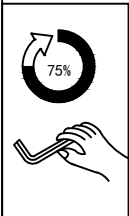
①



②



③



④

