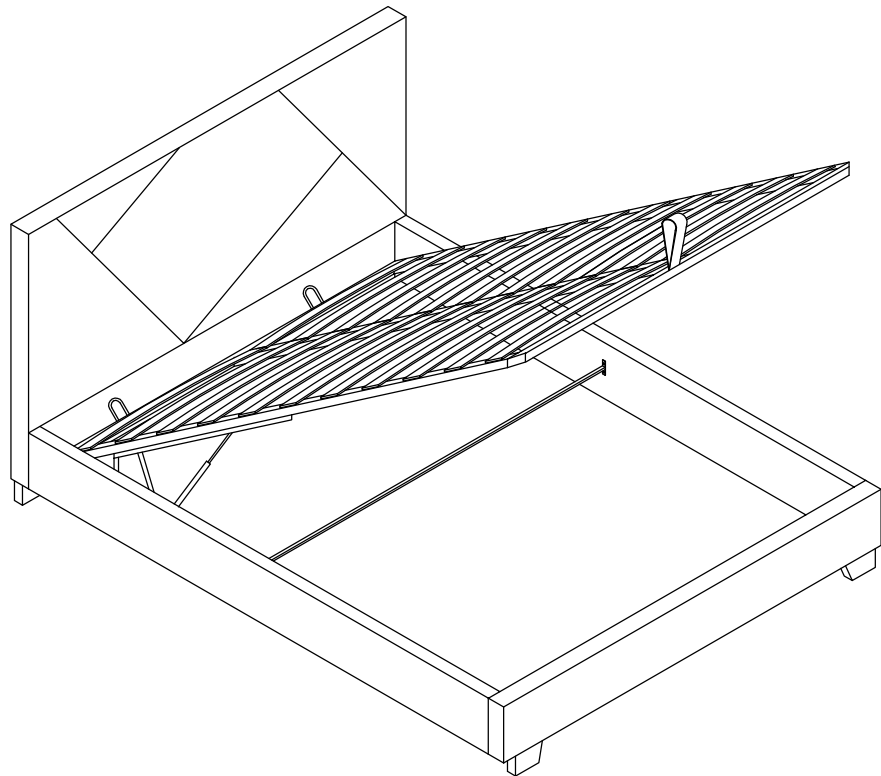
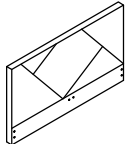

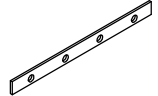
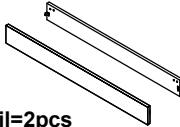
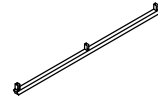
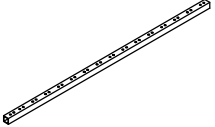
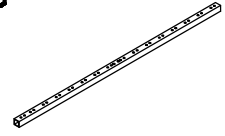
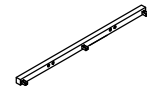
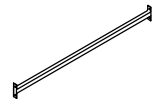
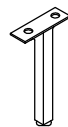

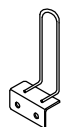
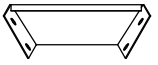

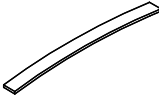
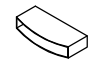


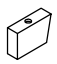
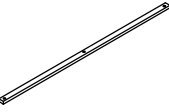
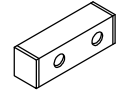


ASSEMBLY INSTRUCTIONS











ITEM NO: MLM-171016 QUEEN/FULL

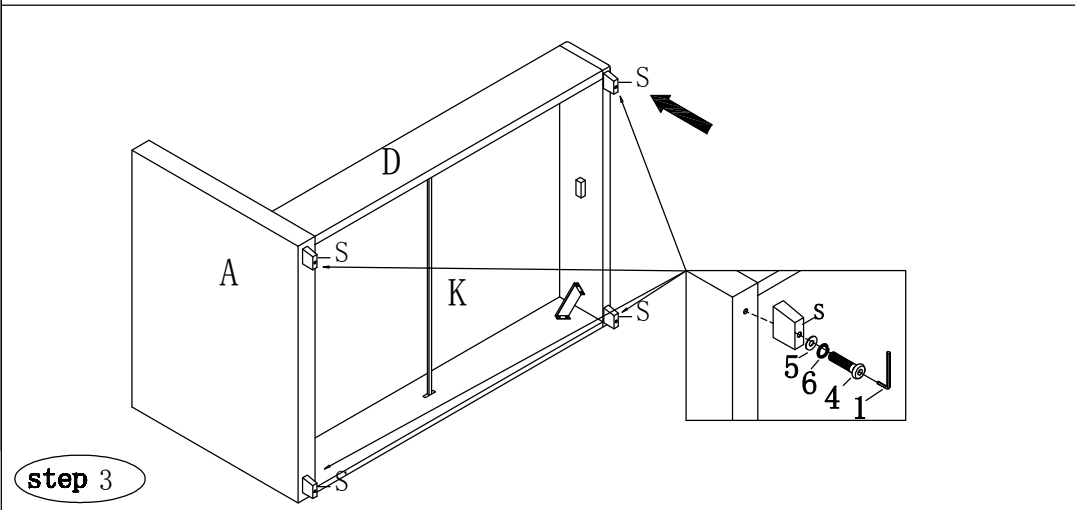
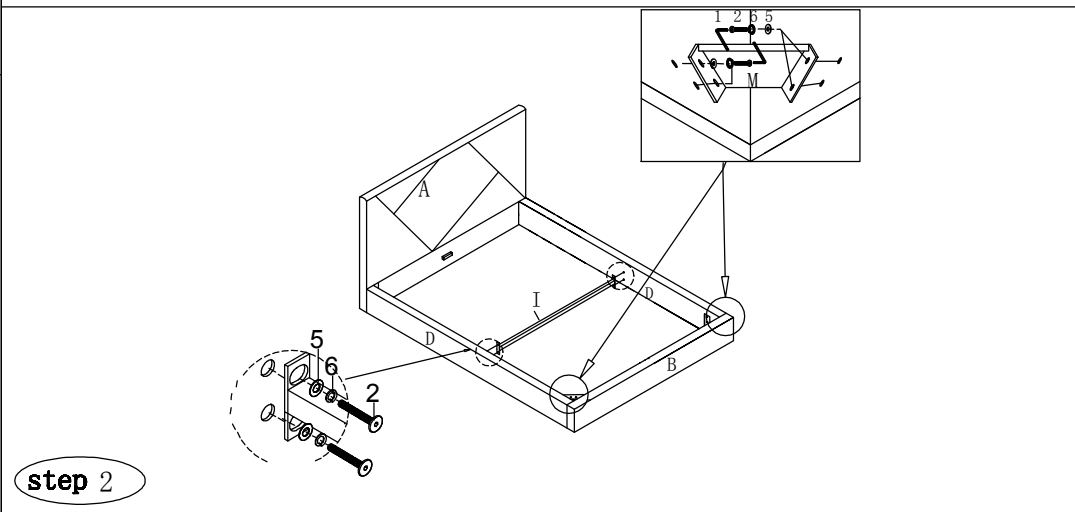
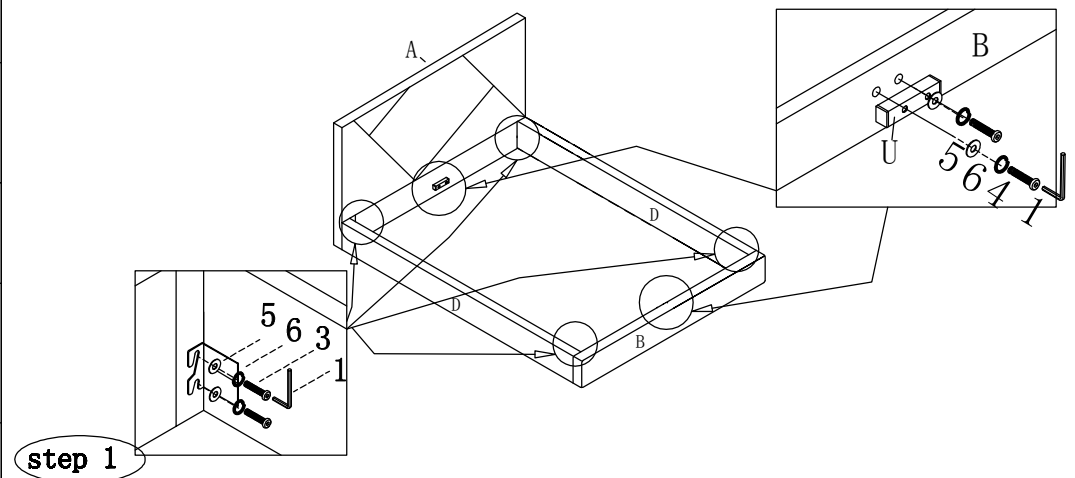


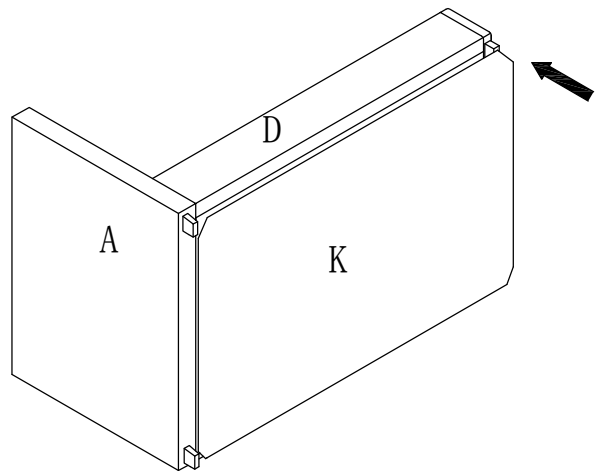
PARTS LIST:

<p>A</p>  <p>Headboard=1pc</p>	<p>B</p>  <p>Footboard=1pc</p>	<p>C</p>  <p>Supporting block on SR=2PC</p>
<p>D</p>  <p>Siderail=2pcs</p>	<p>E</p>  <p>Support block on footboard=1PC</p>	<p>F</p>  <p>Metal side support rail=2PCS</p>
<p>G</p>  <p>Centre rail=1PC</p>	<p>H</p>  <p>Support block on headboard=1PC</p>	<p>I</p>  <p>Metal Centre cross rail=1PC</p>
<p>J</p>  <p>Centre support leg=2PCS</p>	<p>K</p>  <p>Non-woven fabric=1PC</p>	<p>L</p>  <p>Metal block=2PCS</p>
<p>M</p>  <p>Metal corner block=2PCS</p>	<p>N</p>  <p>Fabric Handle=1PC</p>	<p>O</p>  <p>Slat=32PCS</p>
<p>P</p>  <p>End cap=32PCS</p>	<p>Q</p>  <p>Center plastic connector=16PCS</p>	<p>R</p>  <p>Gas Lift Mechanism=2PCS</p>
<p>S</p>  <p>Leg=4pcs</p>	<p>T</p>  <p>Metal Centre cross rail=1PC</p>	<p>U</p>  <p>Buse support=2PCS</p>

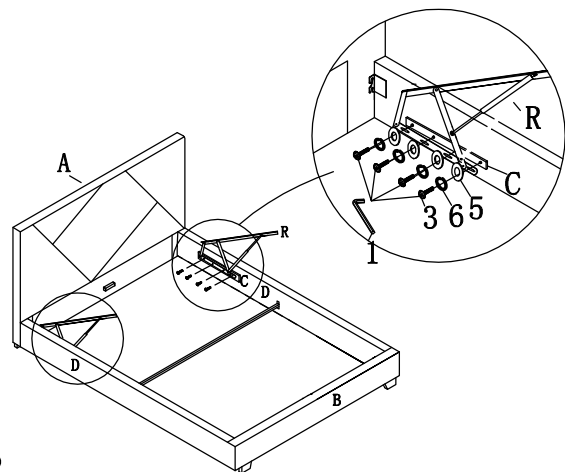
HARDWARE LIST:

1 Allen Key $\varnothing 5/16''=1pc$ 	2 Bolt $\varnothing 5/16'' \times 3/4'' L=24 pcs$ 	3 Bolt $\varnothing 5/16'' \times 1-3/8'' L=16 pcs$ 
4 Bolt $\varnothing 5/16'' \times 2'' L=16 pcs$ 	5 Flat Washer $\varnothing 5/16'' \times \varnothing 19mm=65 pcs$ 	6 Spring Washer=65 pcs 
7 Nut=8 pcs 	8 Wrench=1 pc 	9 Nut=4 pcs 
10 Bolt $\varnothing 5/16'' \times 1'' L=9 pcs$ 		

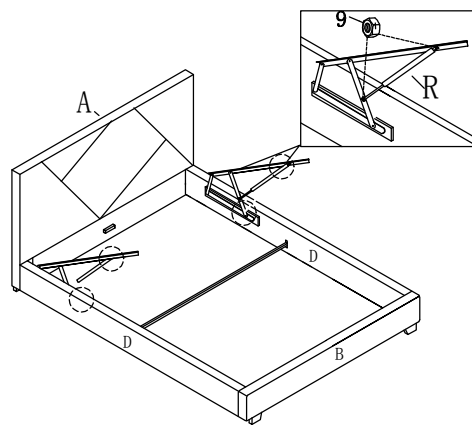




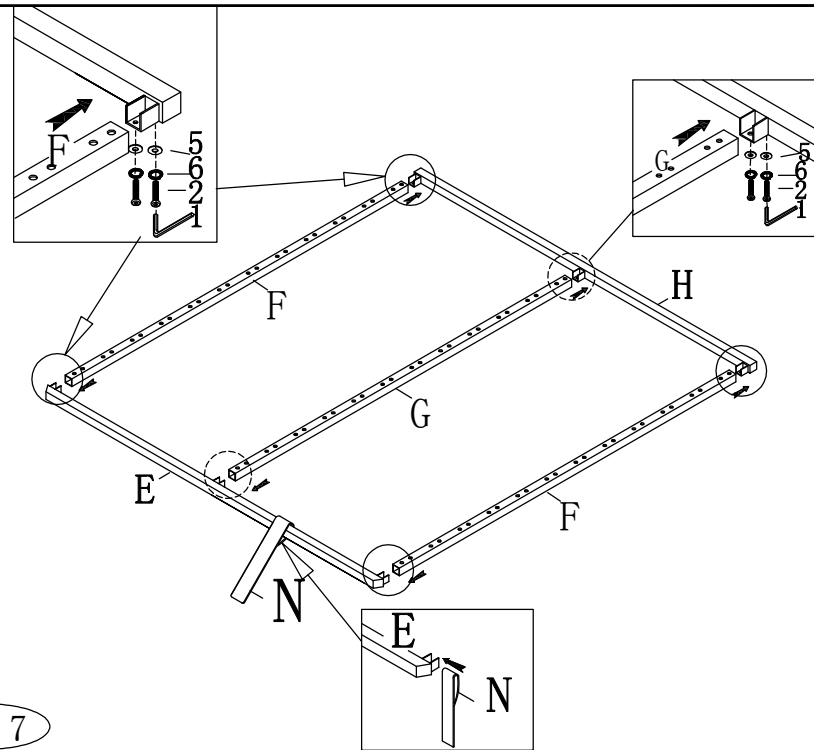
step 4



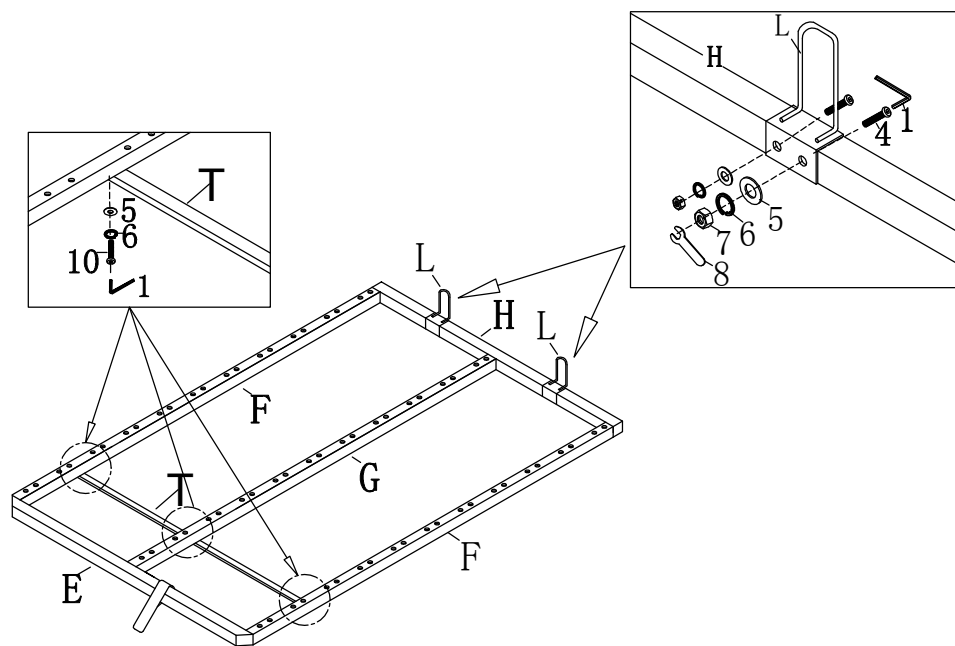
step 5



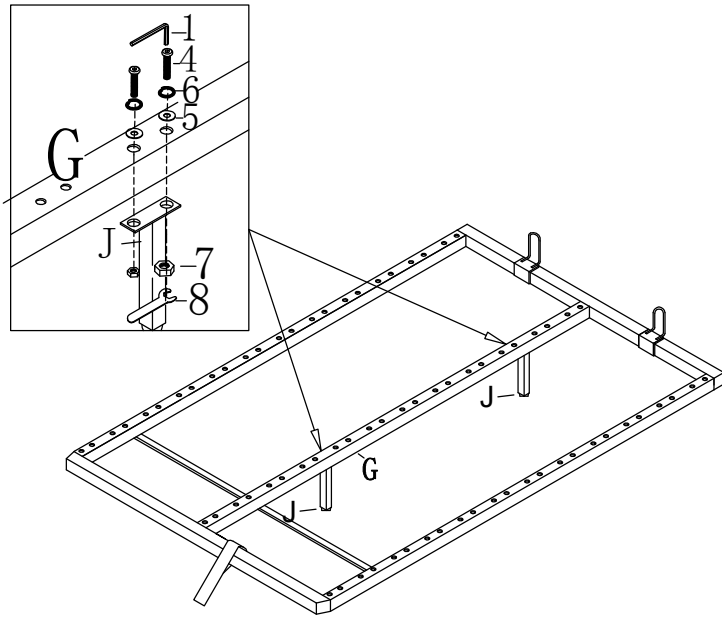
step 6



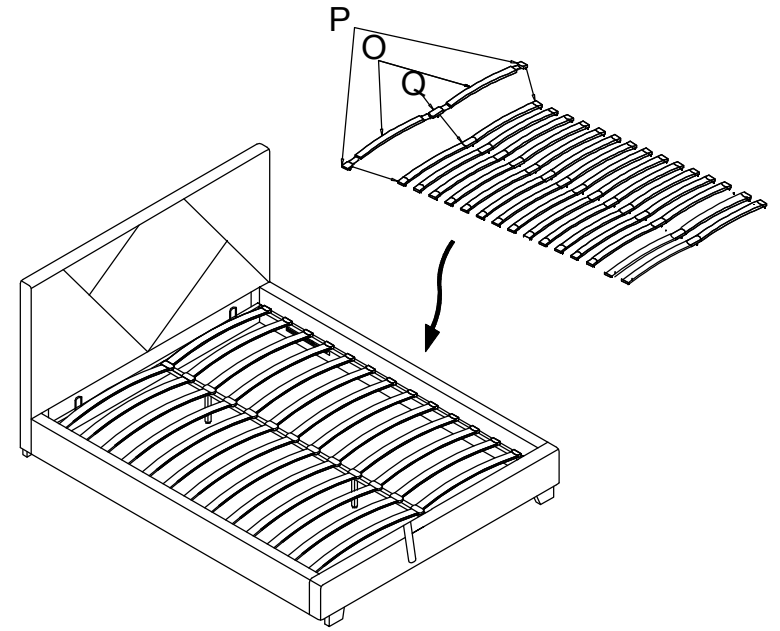
step 7



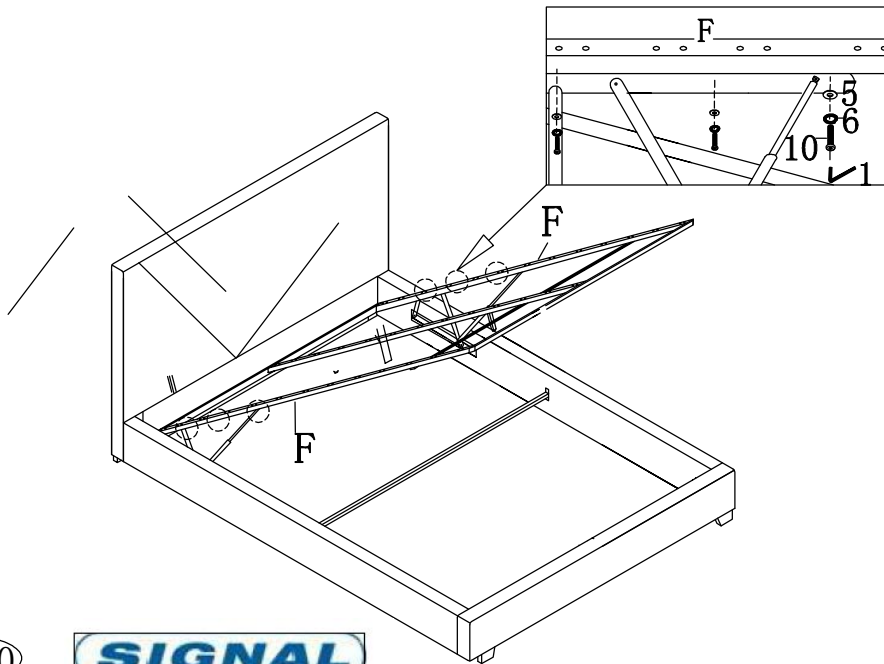
step 8



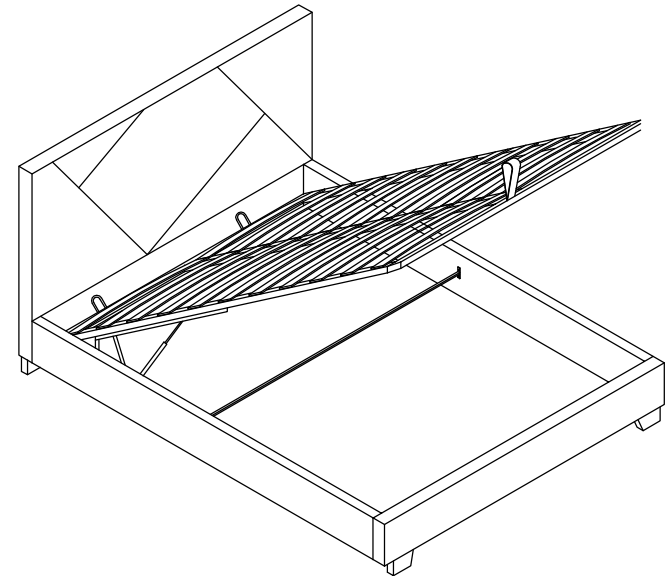
step 9



step 11



step 10



step 12