
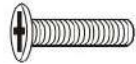

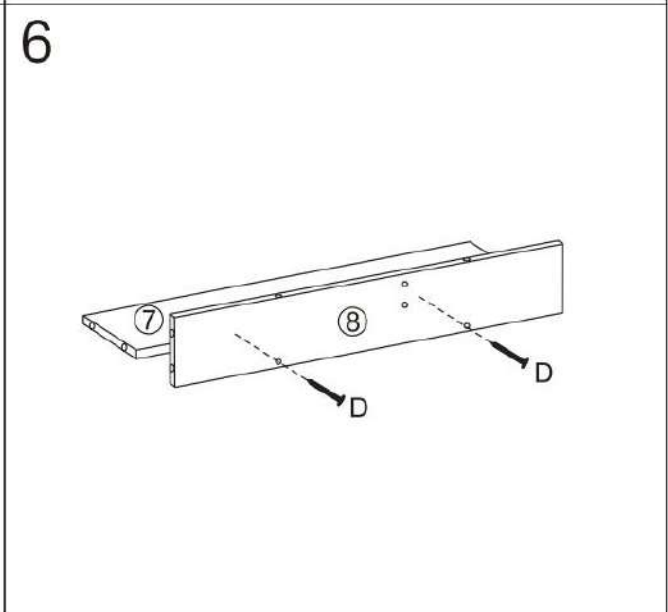
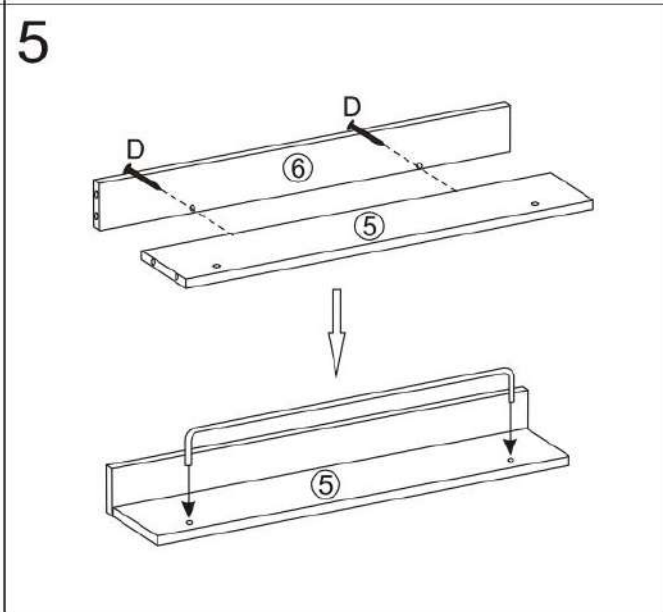
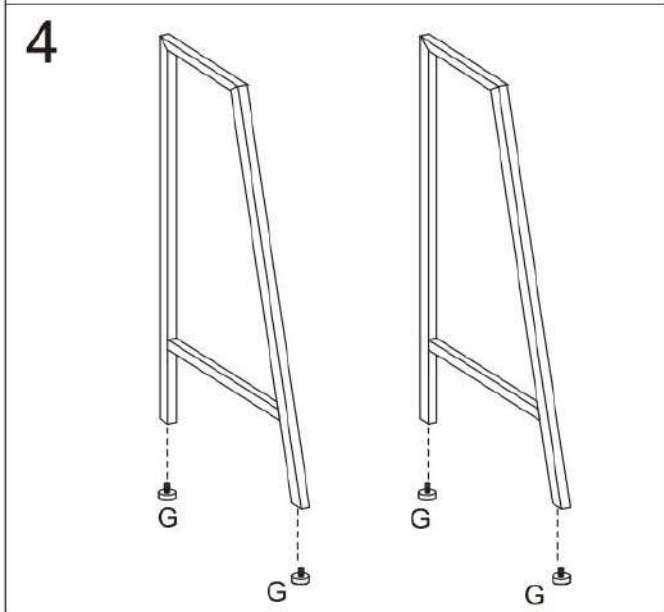
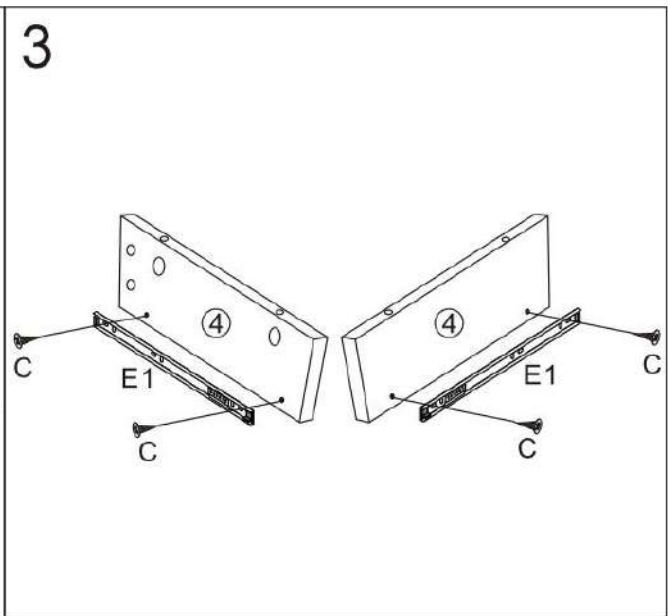
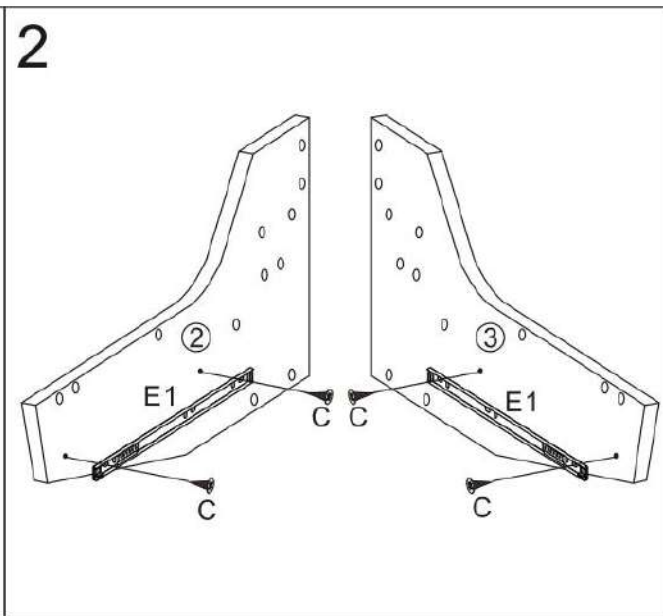
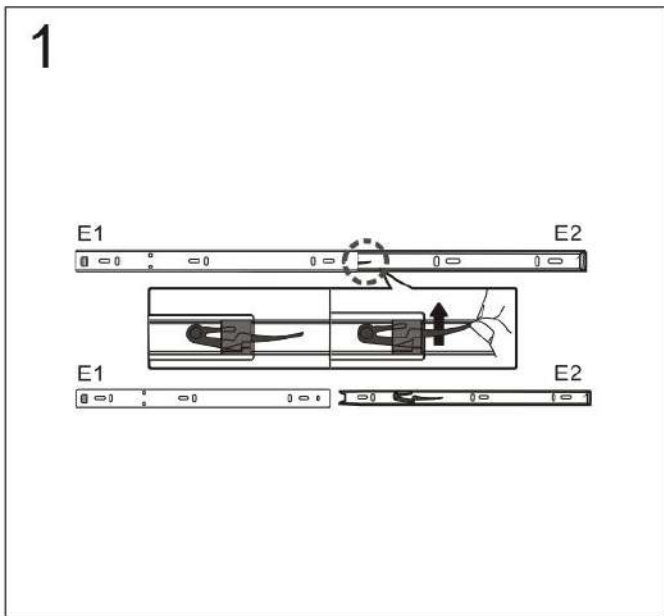



<p>A</p>  <p>30pcs</p>	<p>B</p>  <p>M6X30mm 6pcs</p>	<p>C</p>  <p>ST3. 5X12mm 16pcs</p>
--	---	--

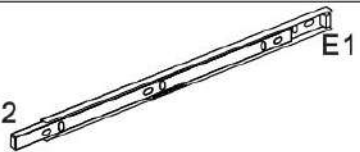


D



ST5X50mm
14pcs


E



E1
E2

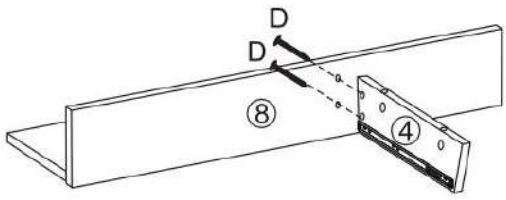
4pcs

F

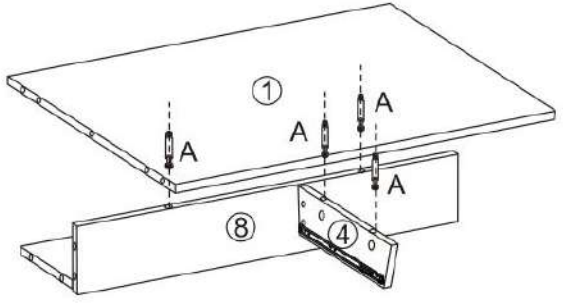


8X30mm
4pcs

7

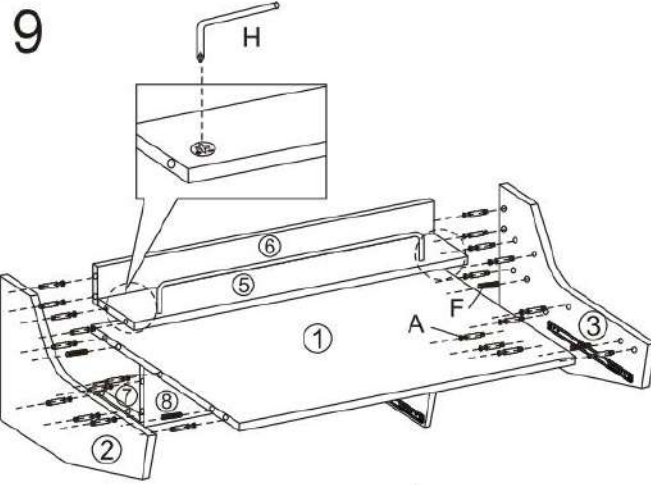


8



A

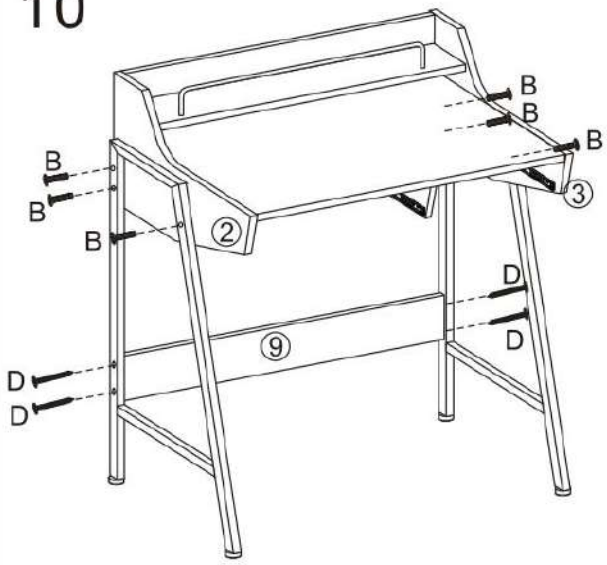
9



H

A

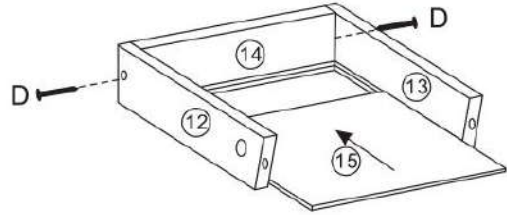
10



B

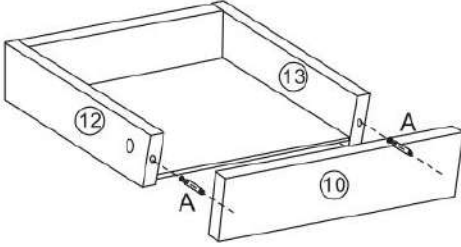
D

11




D

12



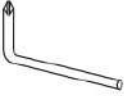
A

G



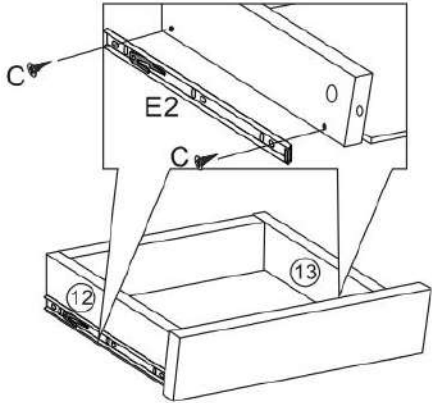
4pcs

H

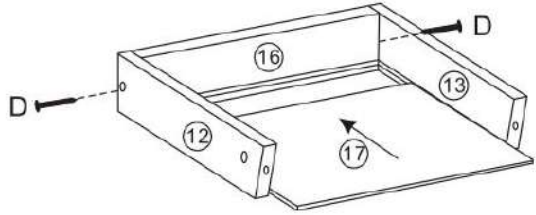


1pc

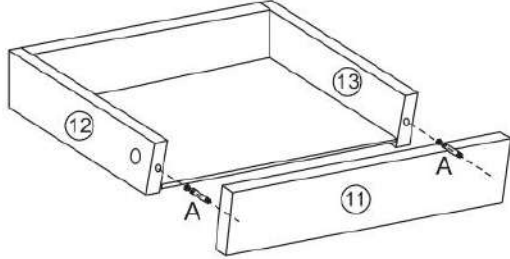
13



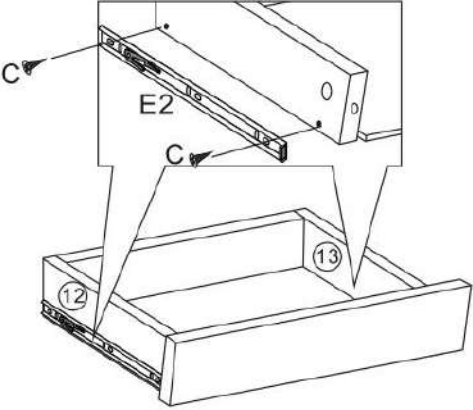
14




15



16



17



18

