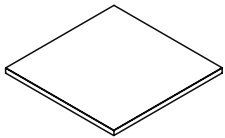
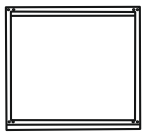


# SILVER A

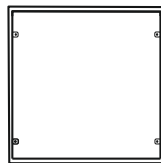
A-1PC



B-1PC



C-1PC



D-4PCS



E-4PCS



F-4PCS



G-4PCS



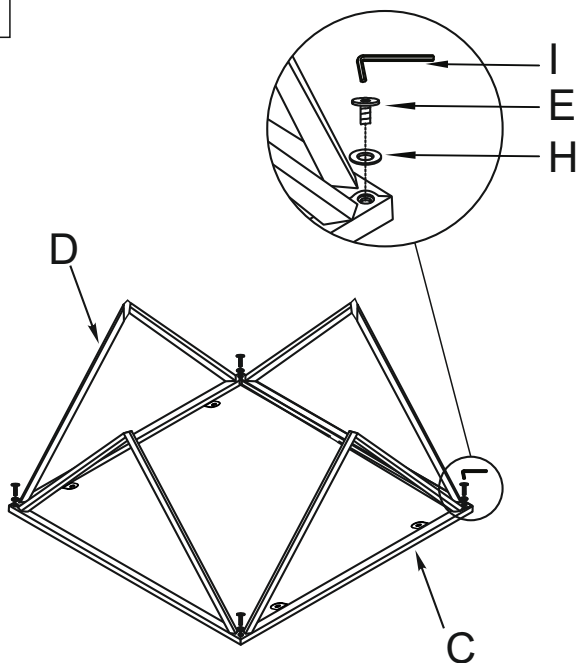
H-8PCS



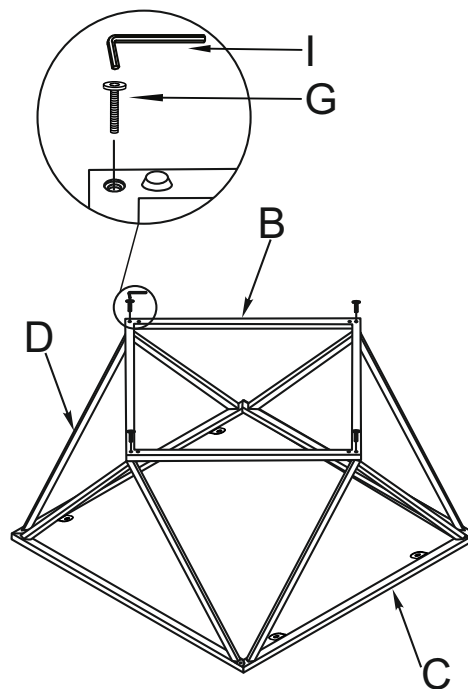
I-1PC



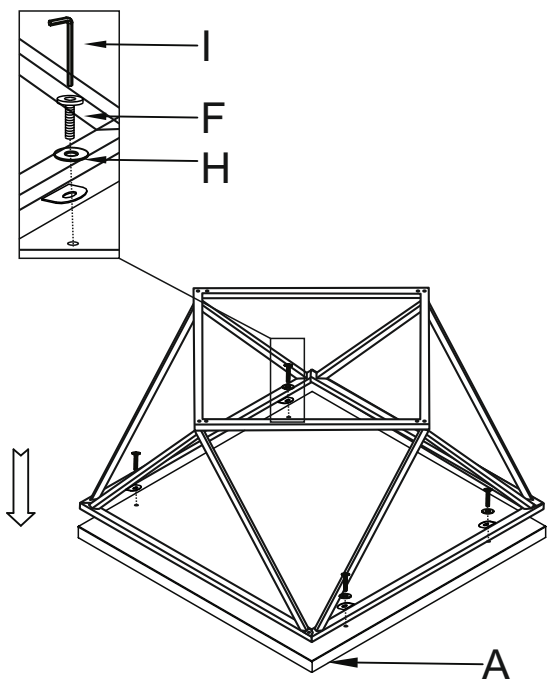
1



2



3



4

