

# CRYSTAL B

A-1pc

B-1pc

C-1pc

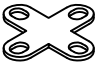
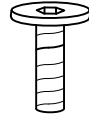
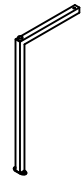
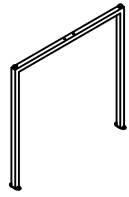
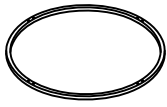
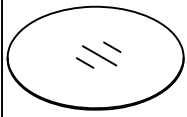
D-2pcs

E-12pcs

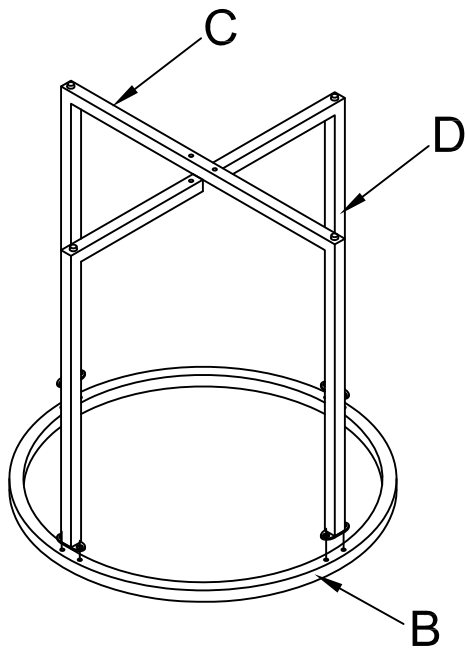
F-1pc

G-4pcs

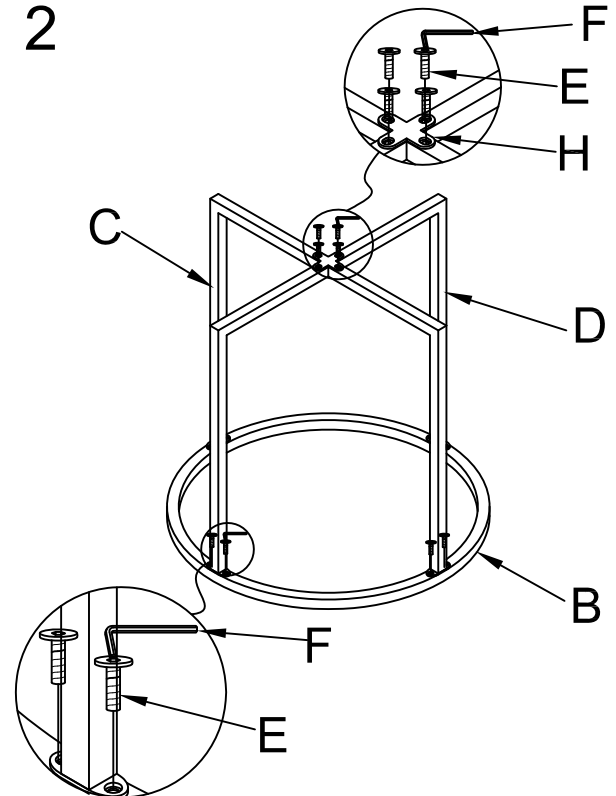
H-1pc



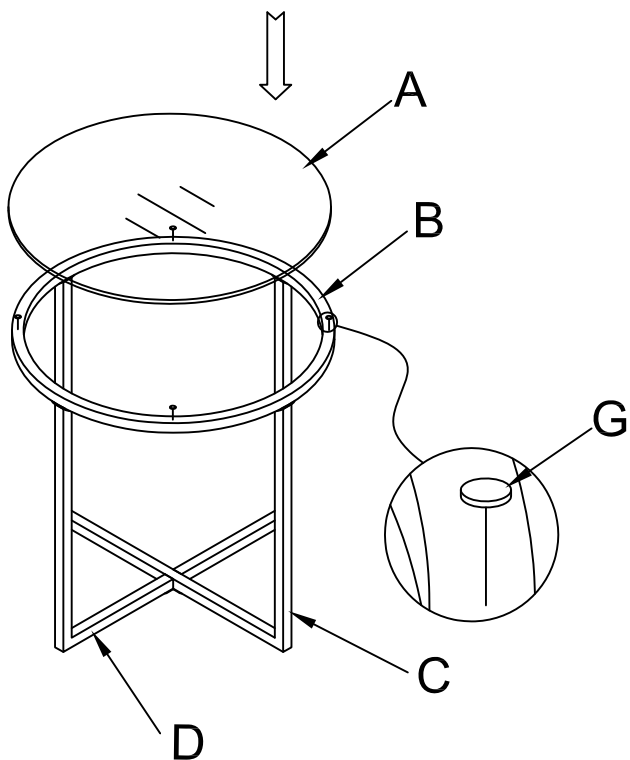
1



2



3



4

