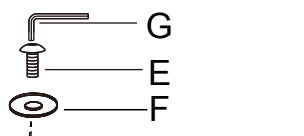
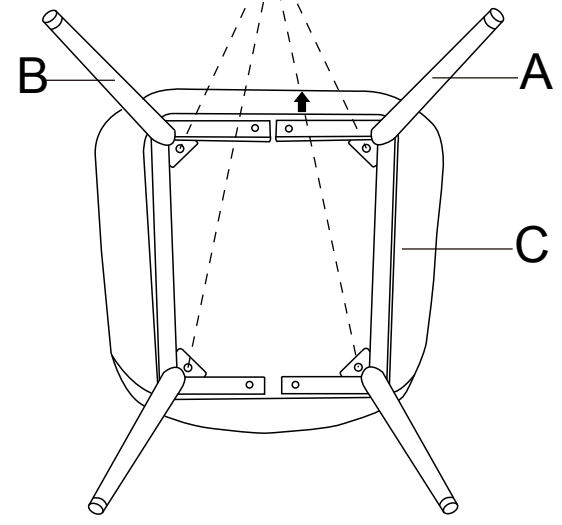
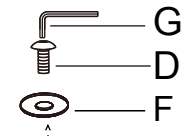


1



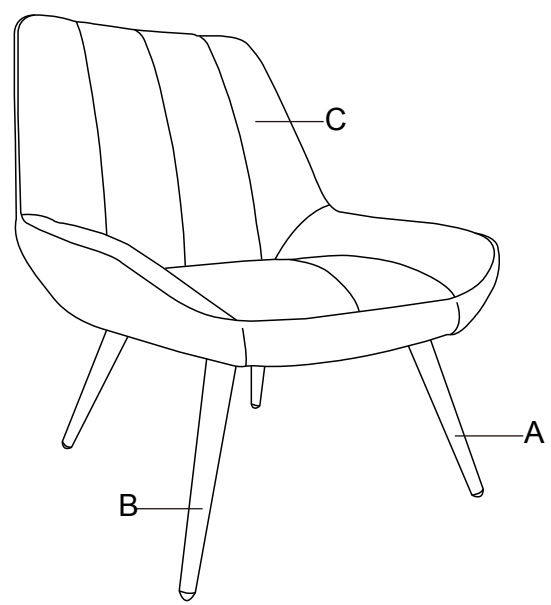
2



3



4




CELLA



D 
M6*20MM/4PCS

E 
M6*35MM/4PCS

F 
M6*18*1MM/8PCS

G 
M5/1PC