



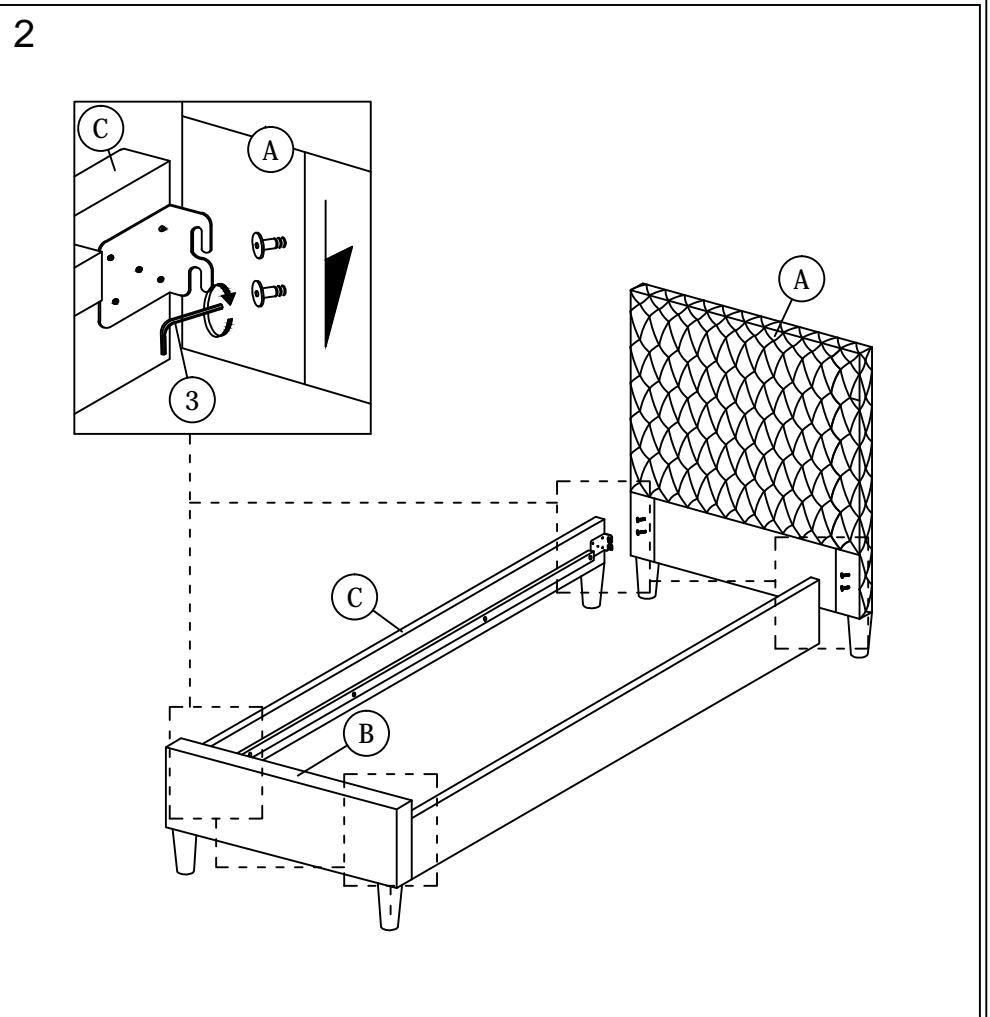
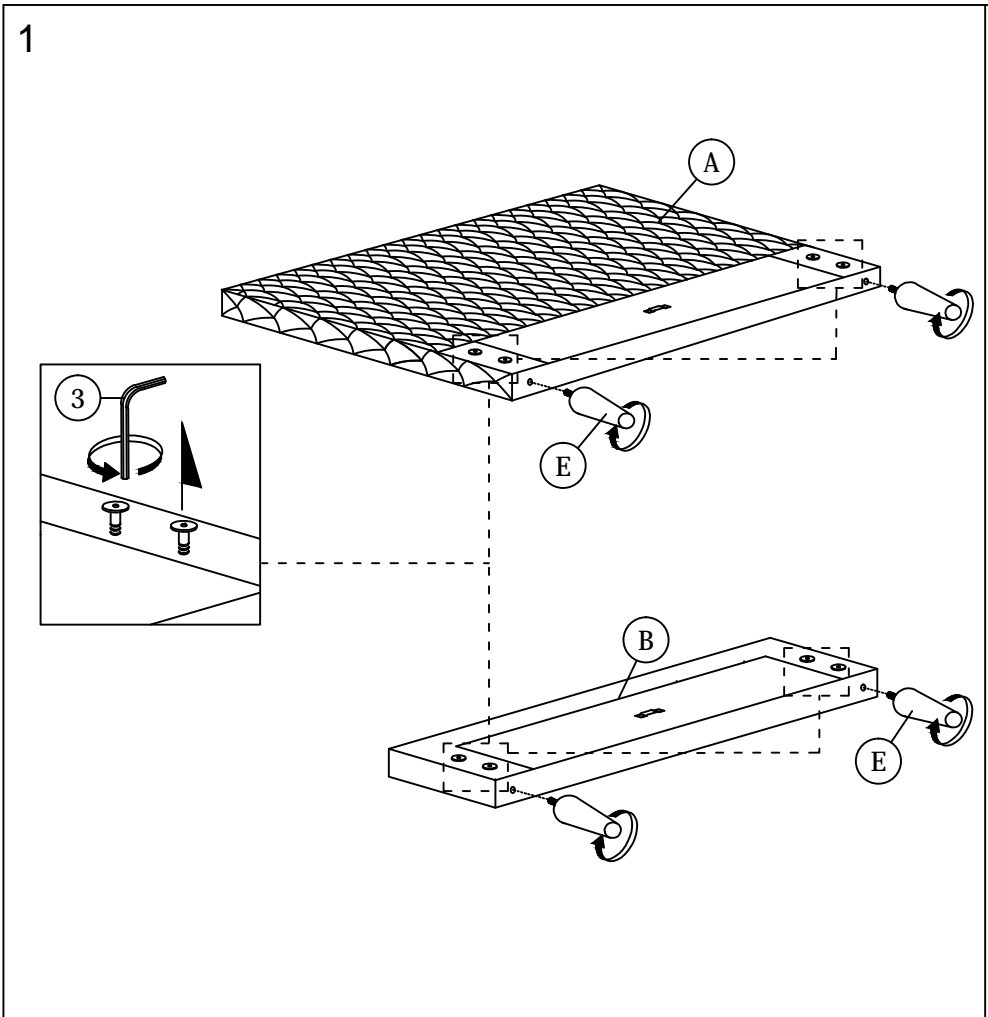
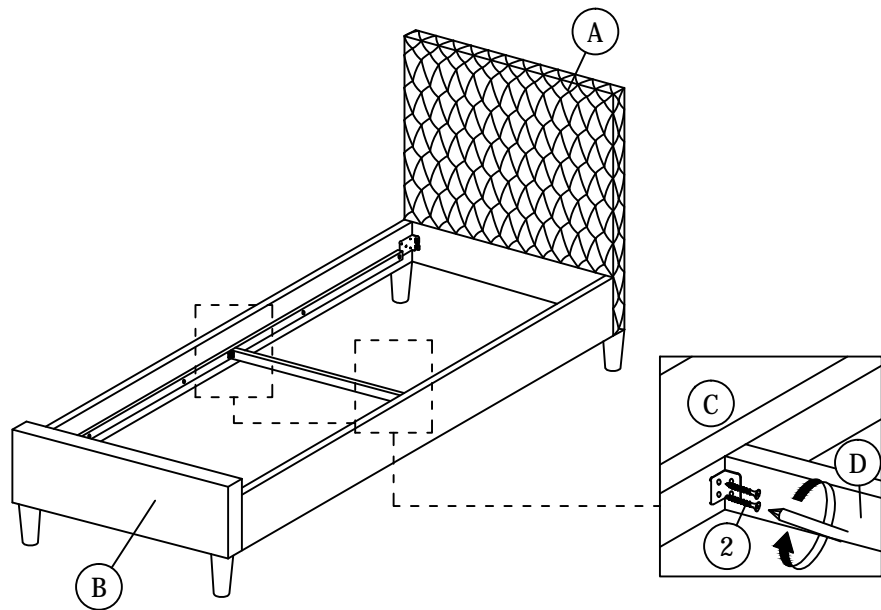


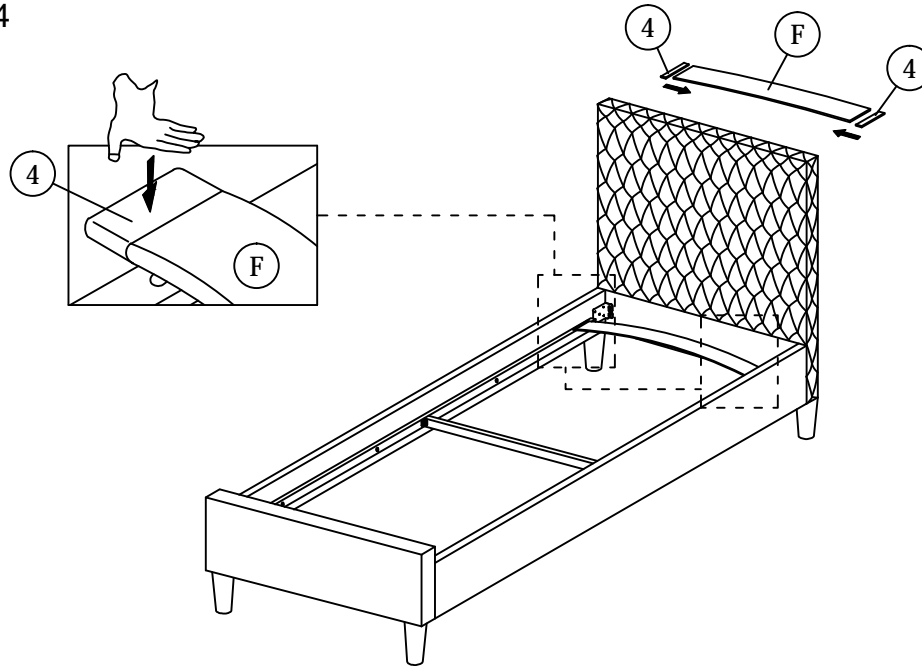
A	1 PC			
B	1 PC			
C	2 PCS			
D	1 PC			
E	4 PCS			
F	17 PCS			
1	M4 x 20mm		2 PCS	
2	M3.5 x 16mm		8 PCS	
3	M5		1 PC	
4			17 PCS	



3



4



5

