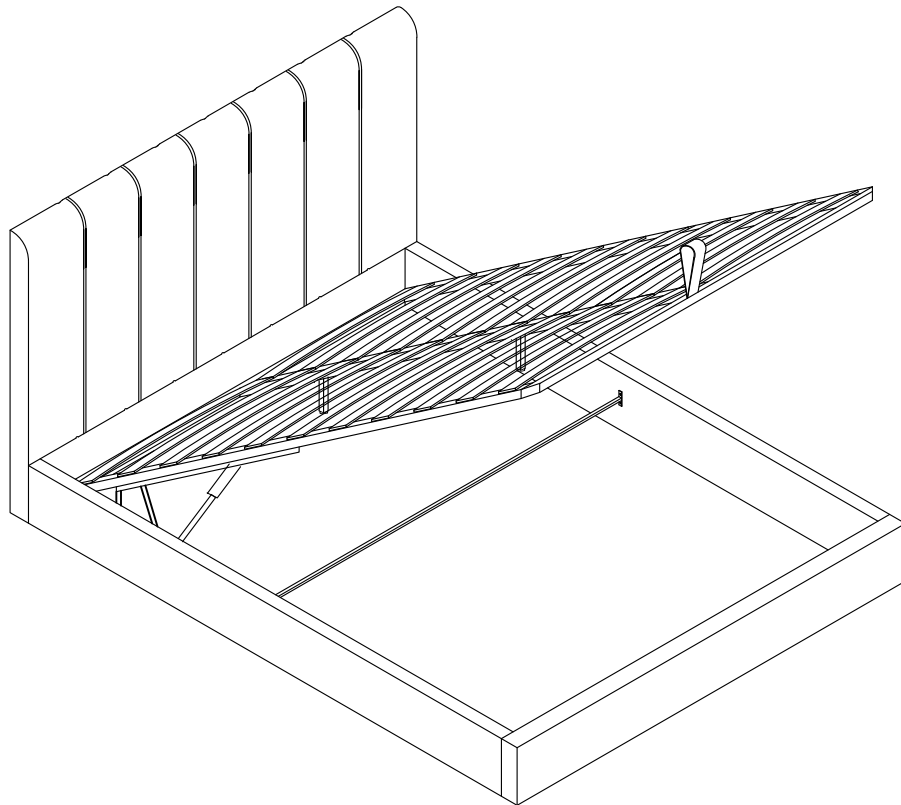
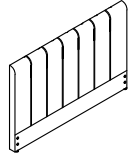
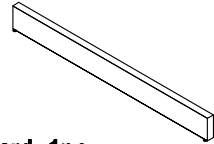
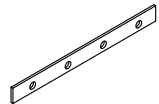
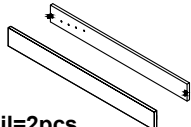
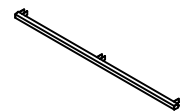
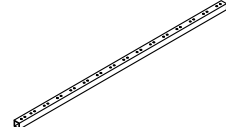
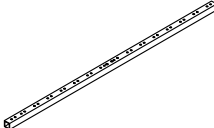
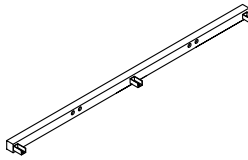
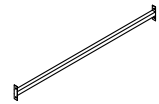
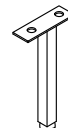


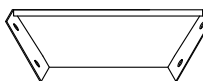

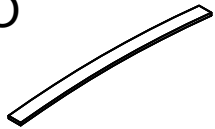



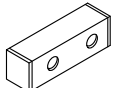
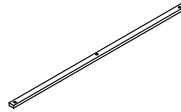












# MONTREAL

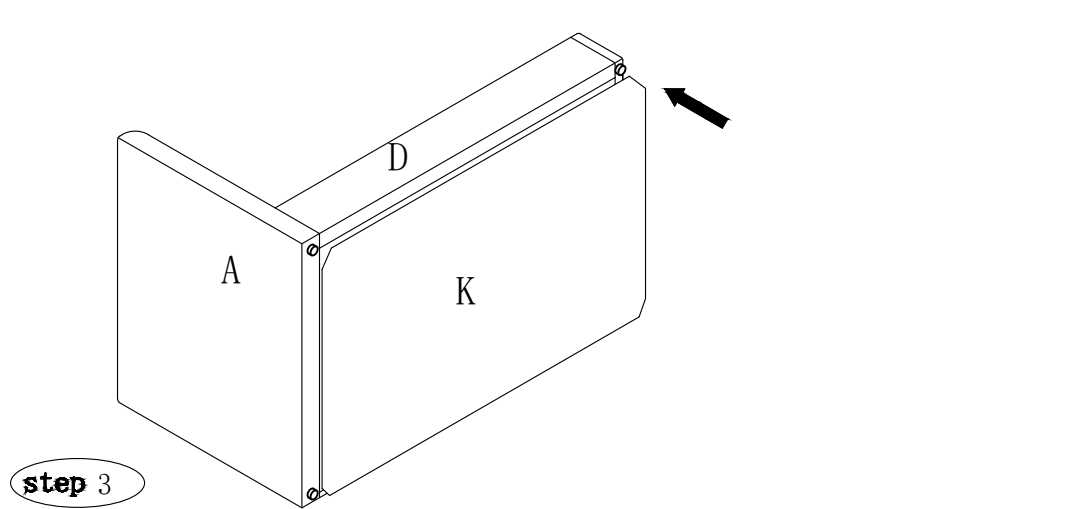
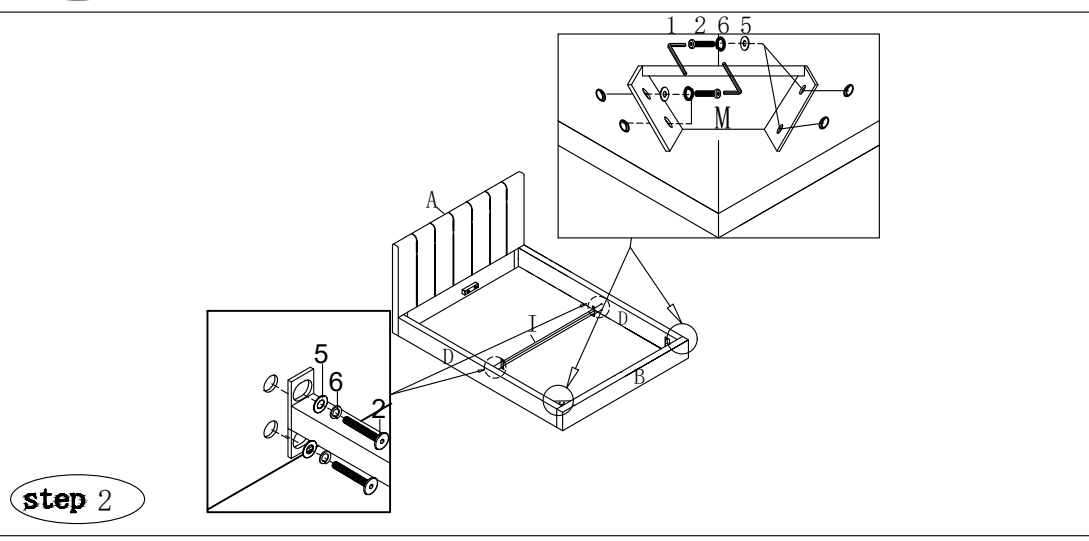
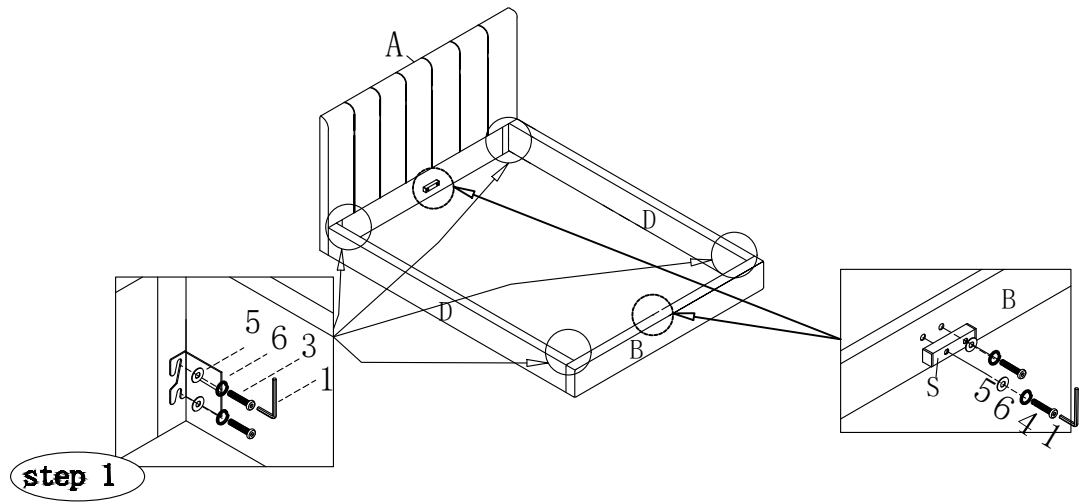


## PARTS LIST:

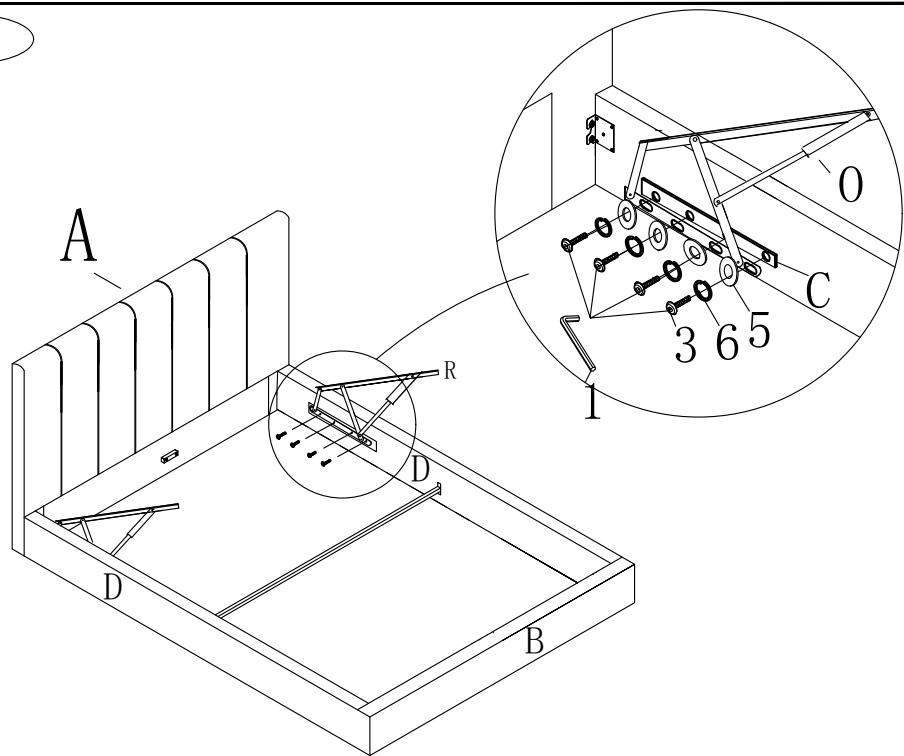
<p><b>A</b></p>  <p>Headboard=1pc</p>	<p><b>B</b></p>  <p>Footboard=1pc</p>	<p><b>C</b></p>  <p>Supporting block on SR=2PCS</p>
<p><b>D</b></p>  <p>Siderail=2pcs</p>	<p><b>E</b></p>  <p>Support block on footboard=1PC</p>	<p><b>F</b></p>  <p>Metal side support rail=2PCS</p>
<p><b>G</b></p>  <p>Centre rail=1PC</p>	<p><b>H</b></p>  <p>Support block on headboard=1PC</p>	<p><b>I</b></p>  <p>Metal Centre cross rail=1PC</p>
<p><b>J</b></p>  <p>Centre support leg=2PCS</p>	<p><b>K</b></p>  <p>Non-woven fabric=1PC</p>	<p><b>L</b></p>  <p>Metal block=2PCS</p>
<p><b>M</b></p>  <p>Metal corner block=2PCS</p>	<p><b>N</b></p>  <p>Fabric Handle=1PC</p>	<p><b>O</b></p>  <p>Slat=32PCS</p>
<p><b>P</b></p>  <p>End cap=32PCS</p>	<p><b>Q</b></p>  <p>Center plastic connector=16PCS</p>	<p><b>R</b></p>  <p>Gas Lift Mechanism=2PCS</p>
<p><b>S</b></p>  <p>Buse support=2PCS</p>	<p><b>T</b></p>  <p>Metal Centre cross rail=1PC</p>	

# HARDWARE LIST:

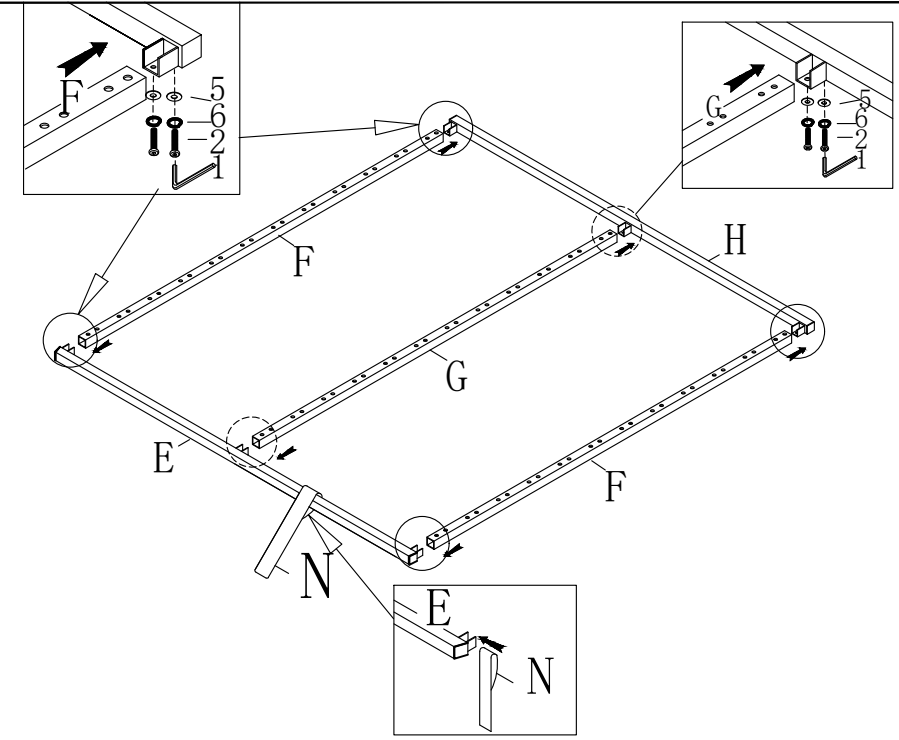
<b>1</b> Allen Key $\varnothing 5/16''=1pc$ 	<b>2</b> Bolt $\varnothing 5/16'' \times 3/4'' L=24 pcs$ 	<b>3</b> Bolt $\varnothing 5/16'' \times 1-1/2'' L=16 pcs$ 
<b>4</b> Bolt $\varnothing 5/16'' \times 2'' L=12 pcs$ 	<b>5</b> Flat Washer $\varnothing 5/16'' \times \varnothing 19mm=61 pcs$ 	<b>6</b> Spring Washer=61 pcs 
<b>7</b> Nut=8 pcs 	<b>8</b> Wrench=1 pc 	<b>9</b> Nut=4 pcs 
<b>10</b> Bolt $\varnothing 5/16'' \times 1'' L=9 pcs$ 		



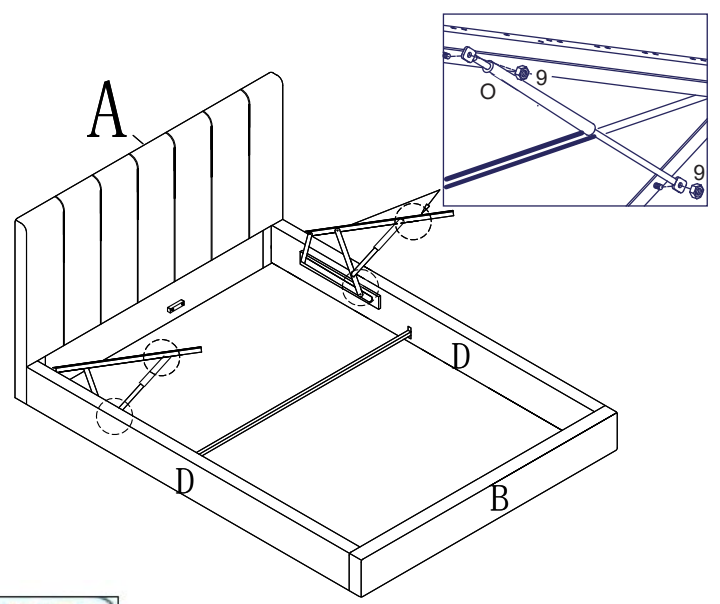
step 4



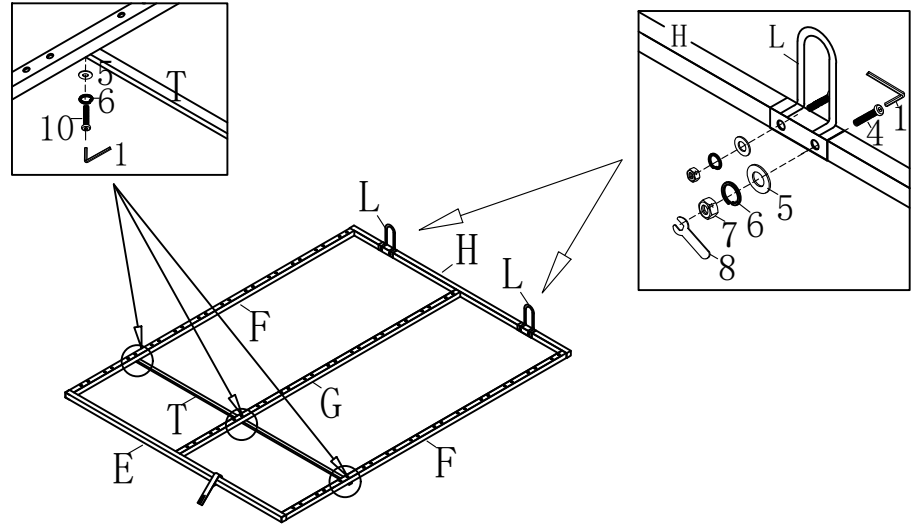
step 6



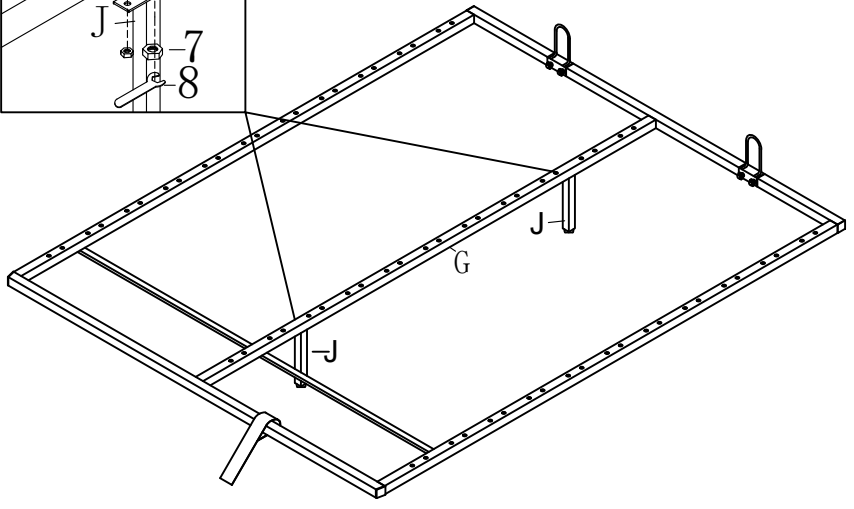
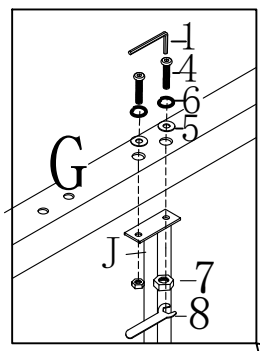
step 5



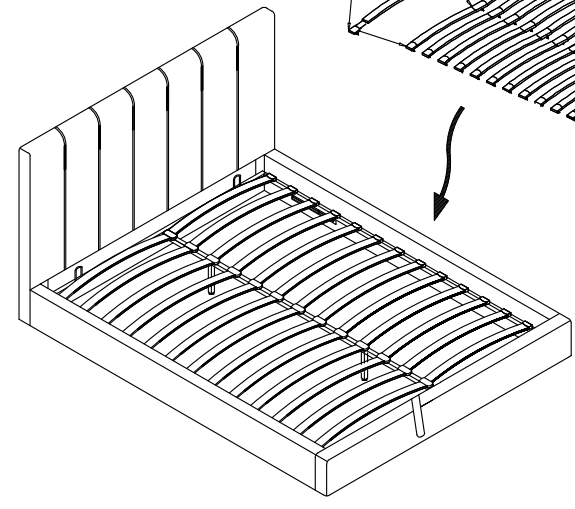
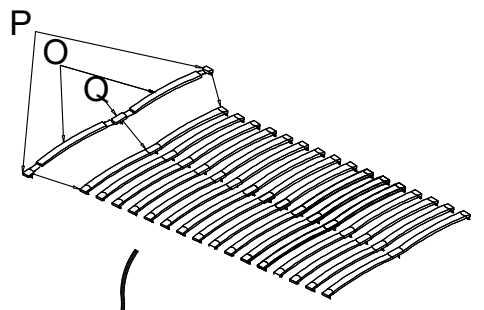
step 7



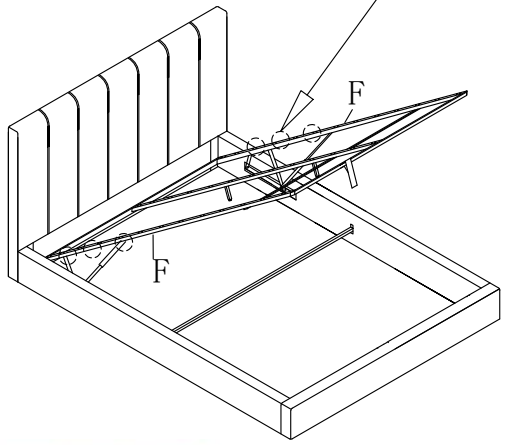
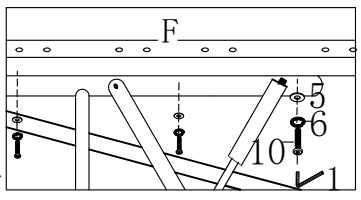
step 8



step 10



step 9



step 11

