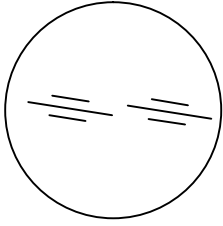
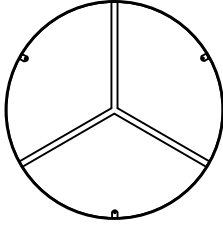
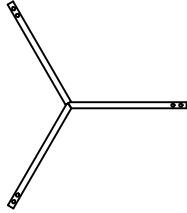
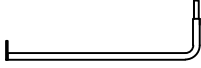
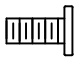




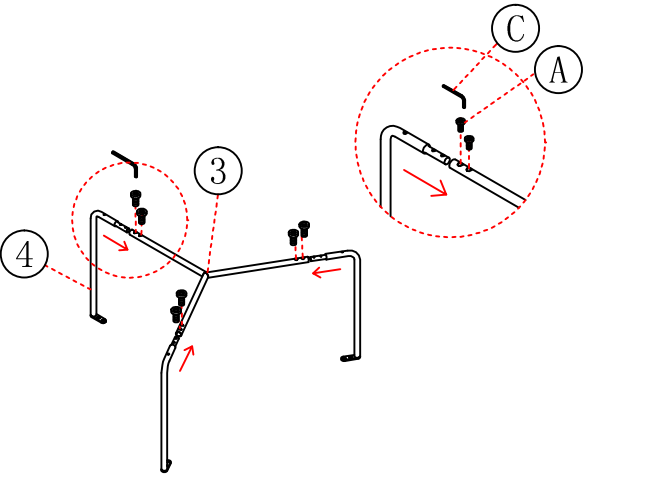
MODEL ANTILO FI 80

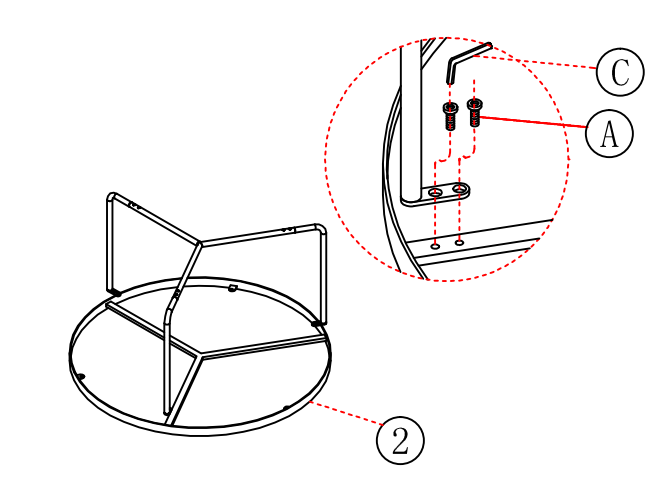
PARTS LIST

1.-1PC 	2.-1PC 	3.-1PC 	4.-3PCS 
---	---	--	--

FITTINGS

A.M6-12PCS 	B.-6PCS 	C. -1Pc. 
---	--	---

1. 

2. 

3. 