

ELISE S 100X30

A-1

B-2

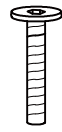
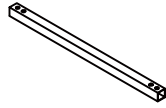
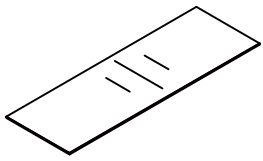
C-4

D-16

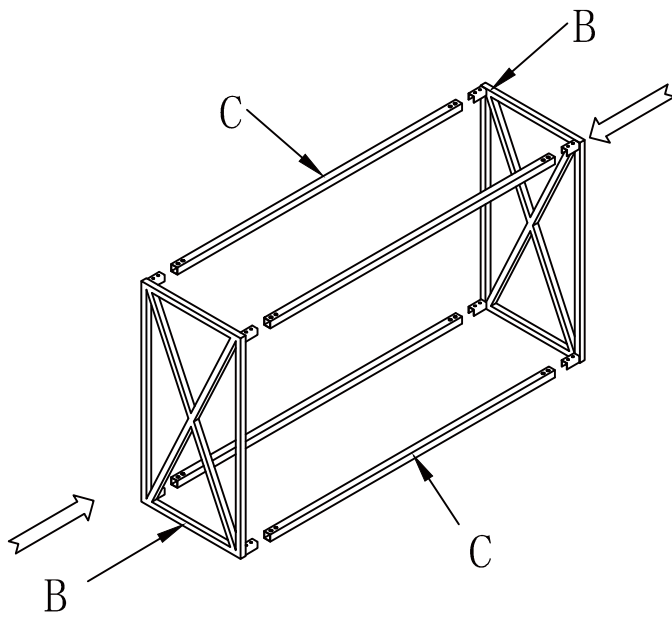
E-1

F-4

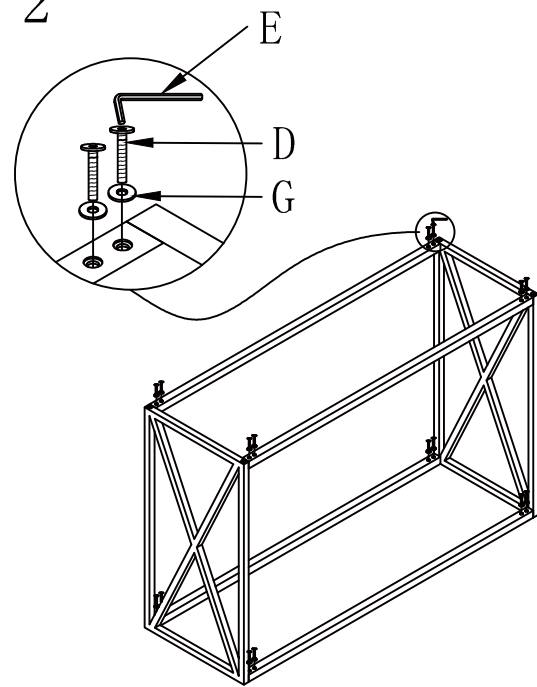
G-16



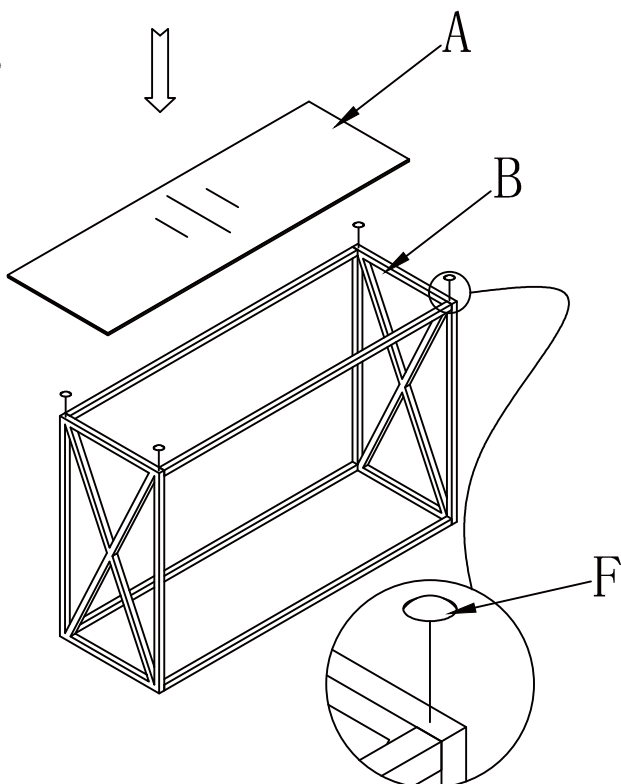
1



2



3



4

